



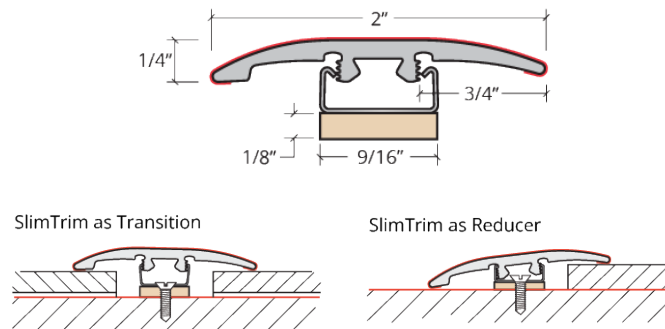
Cobalt Surfaces™ Velaris moldings are designed to coordinate with Velaris flooring colors

SLIMTRIM

Our SlimTrim **2-in-1 Molding** functions as a Reducer and T-Molding. Comes with SlimTrack & Versatrack Shim for floors up to 1/4" (6.35mm).

Surface Material: High Wear Resistant Aluminum Oxide Laminate

Core Material: PVC

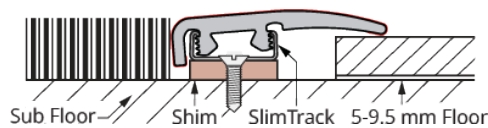


SLIM CAP

Slim Cap is used to transition from vinyl to carpet, masonry (fireplaces), sliding doors and other exterior door jambs. Comes with SlimTrack & Versatrack Shim for floors up to 1/4" (6.35mm).

Surface Material: High Wear Resistant Aluminum Oxide Laminate

Core Material: PVC

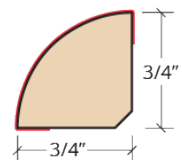


QUARTER ROUND

Quarter Rounds are used to conceal the required expansion space between the wall and the flooring.

Surface Material: Decorative Paper

Core Material: Moisture Resistant Exterior Grade Composite Wood Product



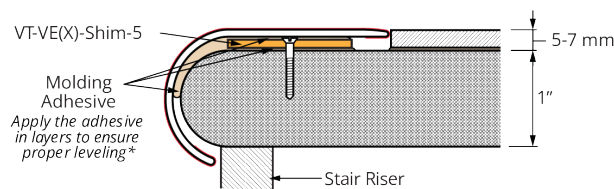


ROUND STAIR NOSE

The Round Stair Nose combines style and function to enhance the beauty of a staircase or step. For use on flooring with an overall thickness of up to 7mm (0.275").

Surface Material: High Wear Resistant Aluminum Oxide Laminate

Core Material: PVC



1" SQUARE STAIR NOSE

The Standard VersaEdge Stair Nose combines style and function to enhance the beauty of a staircase or step. For use on flooring with an overall thickness of up to 7mm (0.275").

Surface Material: High Wear Resistant Aluminum Oxide Laminate

Core Material: PVC

