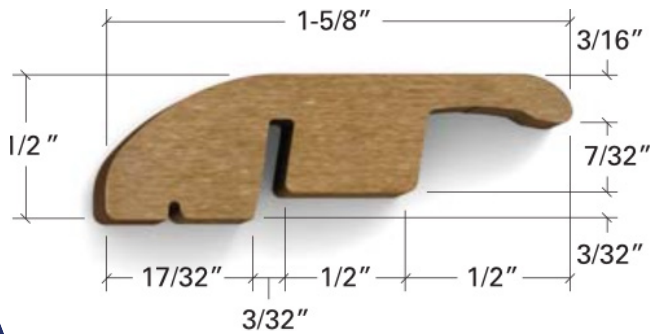


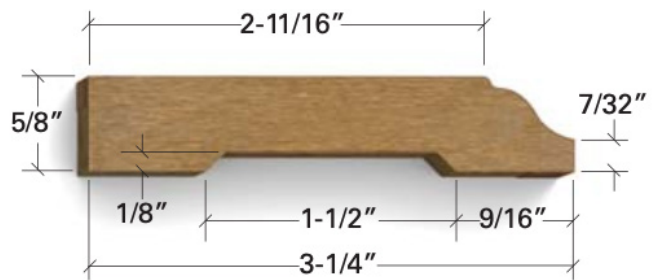
MOLDINGS

Cobalt Surfaces™ is proud to present our exclusive new line of water proof core accessories. These profiles can be used for the Cobalt Velaris collection. Cobalt Velaris moldings are designed to coordinate with Velaris flooring colors

REDUCER



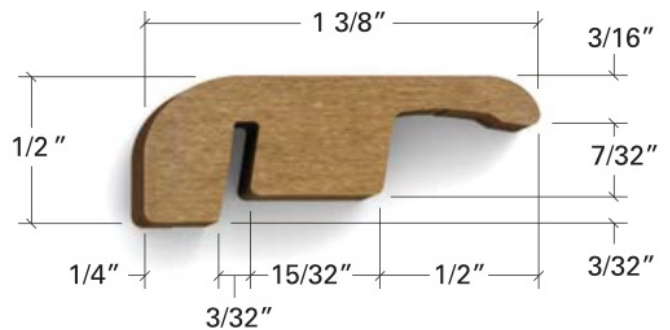
WALL BASE



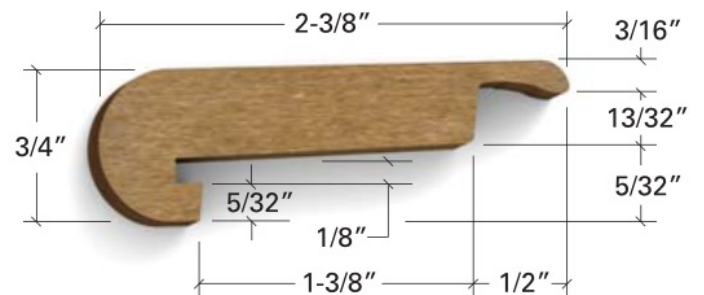
QUARTER ROUND



END CAP



STAIR NOSING



T-MOLDING

