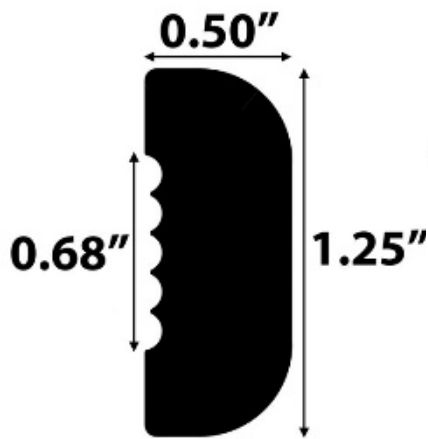
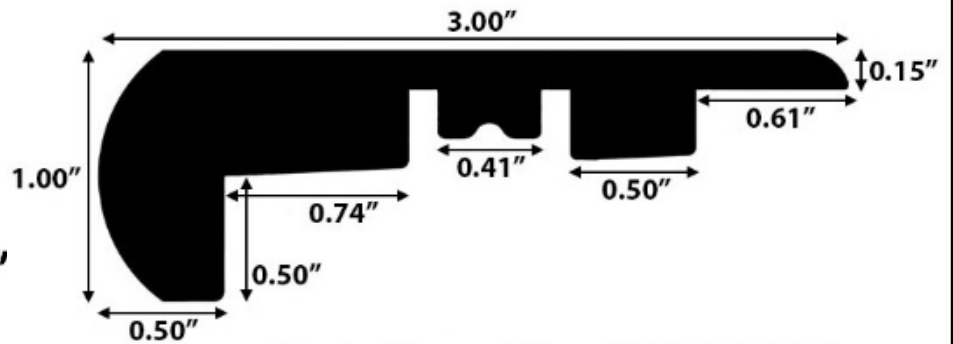


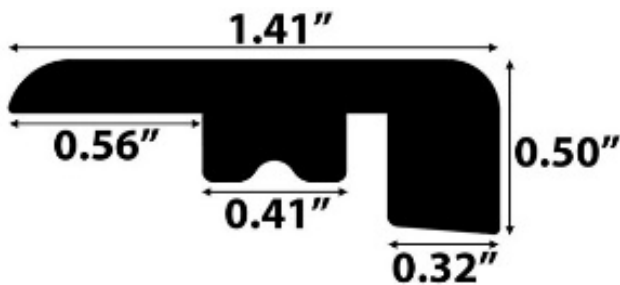
Hushcore™ WPC Profiles



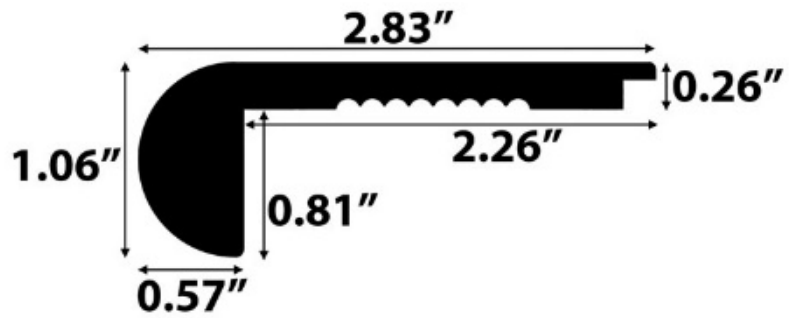
Mini Adjustable Stair Nose WPC (059)



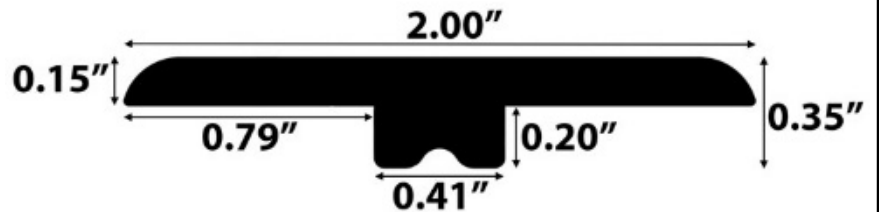
Stair Nose Olap WPC (283)



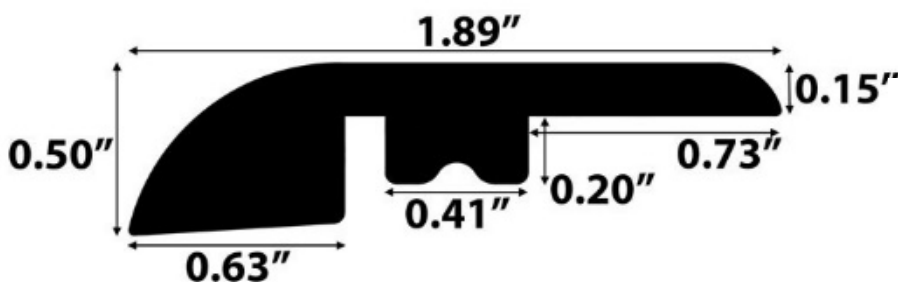
Square Nose WPC (291)



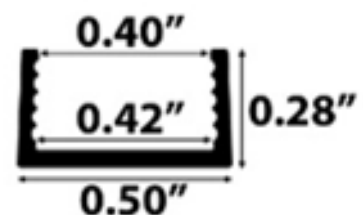
Stair Nose WPC (288)



T-Mold WPC (289)



Reducer Olap WPC (290)



Hushcore Track (286)



Cobalt Surfaces™ is proud to present our exclusive new line of water proof core accessories. Hushcore™ is durable, water resistant and a versatile solution for your flooring projects. This product line features our exclusive 4 layer design, making it one of the most technologically advanced accessories on the market.

